

see what Delta can do™

BAR & PREP SINK FAUCETS

- Pivotal® Collection
- Single Handle Deck Mount

STANDARD SPECIFICATIONS:

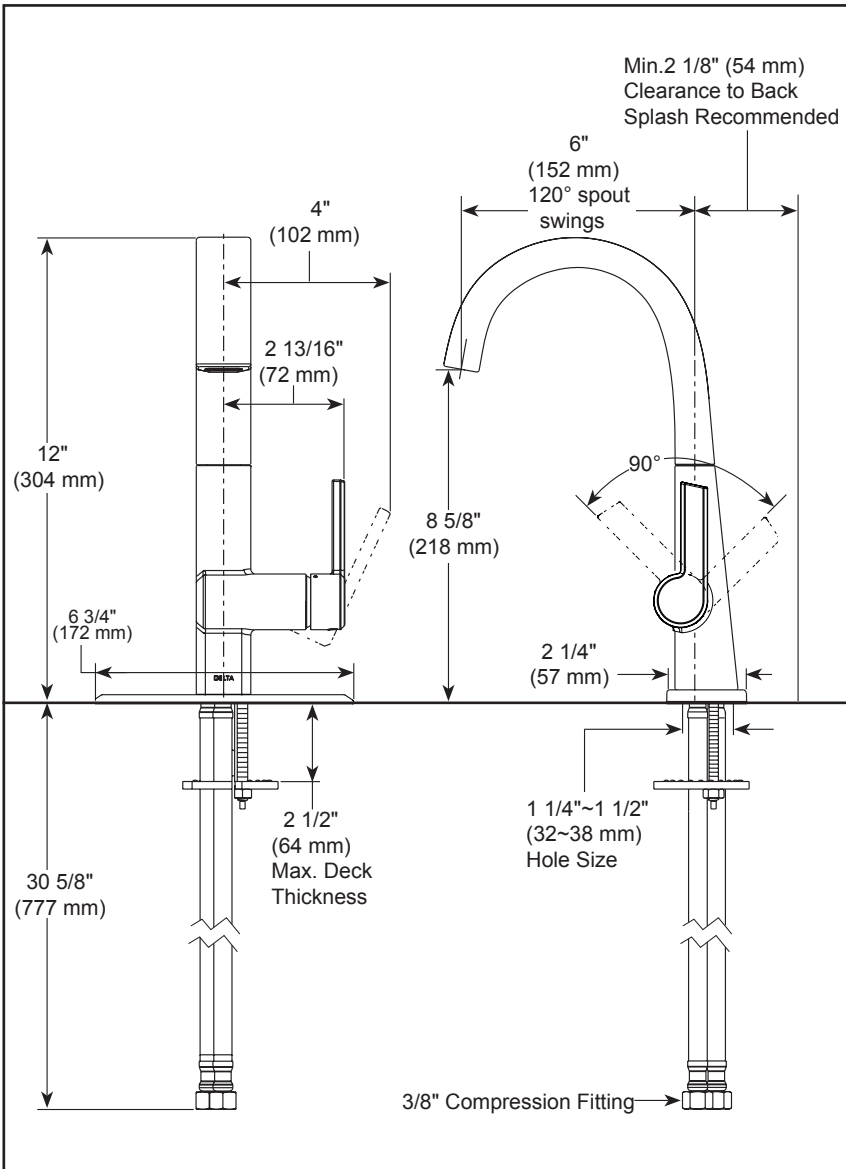
- Max flow rate 1.5 gpm @ 60 psi, 5.7 L/min @ 414 kPa
- Solid brass fabricated body
- Spout rotates 120°
- Red/Blue indicator markings
- Ceramic disc carriage
- One or three hole mount (escutcheon optional, not included)
- Order RP91950 for coordinating soap dispenser

WARRANTY

- Parts and Finish – Lifetime limited warranty; or for commercial purchasers, 10 years for multi-family residential (apartments and condominiums) and 5 years for all other commercial uses, in each case from the date the product is received by the original purchaser or their authorized representative (installation contractor, etc.).
- Please go to www.deltafaucet.com for the complete details of our limited warranty.

COMPLIES WITH:

- ASME A112.18.1 / CSA B125.1
- NSF/ANSI/CAN 61 & 372
- ICC/ANSI A117.1



▲ Designate proper finish suffix

Delta Faucet Company reserves the right (1) to make changes in specifications and materials, and (2) to change or discontinue models, both without notice or obligation. Dimensions are for reference only. See current full-line price book or www.deltafaucet.com for finish options and product availability.

DSP-K-1993LF Rev. E

Delta Faucet Company

55 E. 111th Street, Carmel, IN 46280
350 South Edgware Road, St. Thomas, ON N5P 4L1
© 2026 Delta Faucet Company